



AL METAL

PRICE LIST 2018 | TITANIUM

Al Metal Special Metal Parts B.V.

Akkerweg 5, 5476 VT Vorstenbosch, The Netherlands
Tel. (+31) 413 366 643 – Fax. (+31) 413 369 165

Titanium, Aluminium, Copper, Hastelloy, Inconel, Monel, Duplex, etc. Fasteners and Parts

These price lists contain our standard prices and packages. If there is any request in addition to these products or higher quantities. Please contact us, so we can send you a customized quotation.

Prices are without engagement and valid as long as stock lasts.

* Prices are valid as of 26-02-2018.

For more technical information visit our website:
www.specialmetalparts.com – info@specialmetalparts.com





Price List 2018

Titanium



Al Metal Special Metal Parts B.V.
Akkerweg 5, 5476 VT Vorstenbosch, The Netherlands
Tel. (+31) 413 366 643 – Fax. (+31) 413 369 165
www.specialmetalparts.com – info@specialmetalparts.com

Content

DIN 84.....	3
DIN 125A (ISO 7089)	5
DIN 127B.....	6
DIN 912 (ISO 4762).....	7
DIN 933 (ISO 4017).....	10
DIN 934 (ISO 4032).....	15
DIN 963 (ISO 2009).....	16
DIN 975.....	18
DIN 1587.....	19
DIN 7991 (ISO 10642).....	20
DIN 9021.....	22



Titanium, Aluminium, Copper, Hastelloy, Inconel, Monel, Duplex, etc. Fasteners and Parts
For more technical information visit our website:
www.specialmetalparts.com | info@specialmetalparts.com





Price List 2018

Titanium



Al Metal Special Metal Parts B.V.
Akkerweg 5, 5476 VT Vorstenbosch, The Netherlands
Tel. (+31) 413 366 643 – Fax. (+31) 413 369 165
www.specialmetalparts.com – info@specialmetalparts.com



Art.no. 84Ti2
TITANIUM ASTM 348 GRADE 2 (3.7035)

DIN 84

SLOTTED CHEESE HEAD SCREWS
CILINDERKOPSCHROEVEN MET ZAAGGLEUF

Size	Price €/each	Box
M 2 X 4	4,90	10
M 2 X 6	5,00	10
M 2 X 8	5,25	10
M 2 X 10	5,50	10
M 2,5 X 6	4,50	10
M 2,5 X 8	4,60	10
M 2,5 X 10	5,50	10
M 2,5 X 12	5,25	10
M 3 X 6	3,50	10
M 3 X 8	3,60	10
M 3 X 10	3,60	10
M 3 X 12	3,90	10
M 4 X 6	3,70	10
M 4 X 8	3,80	10
M 4 X 10	3,90	10
M 4 X 12	3,90	10
M 4 X 16	1,25	50
M 4 X 20	1,40	50
M 4 X 25	1,70	50
M 4 X 30	1,90	50
M 5 X 5	3,50	10
M 5 X 6	3,70	10
M 5 X 8	3,90	10
M 5 X 10	4,10	10
M 5 X 12	4,10	10
M 5 X 16	4,50	10
M 5 X 20	4,60	10



Titanium, Aluminium, Copper, Hastelloy, Inconel, Monel, Duplex, etc. Fasteners and Parts
For more technical information visit our website:
www.specialmetalparts.com | info@specialmetalparts.com






Price List 2018

Titanium



Al Metal Special Metal Parts B.V.
Akkerweg 5, 5476 VT Vorstenbosch, The Netherlands
Tel. (+31) 413 366 643 – Fax. (+31) 413 369 165
www.specialmetalparts.com – info@specialmetalparts.com

M 5 X 25	4,90	10
M 5 X 30	5,00	10
M 5 X 55	5,90	10
M 5 X 60	6,20	10
M 6 X 16	4,20	10
M 6 X 20	4,50	10
M 6 X 25	4,75	10
M 6 X 30	4,80	10
M 6 X 35	4,90	10
M 8 X 25	5,25	10

 *coloured prices are standard stock items*



Titanium, Aluminium, Copper, Hastelloy, Inconel, Monel, Duplex, etc. Fasteners and Parts
For more technical information visit our website:
www.specialmetalparts.com | info@specialmetalparts.com





Price List 2018

Titanium



Al Metal Special Metal Parts B.V.
Akkerweg 5, 5476 VT Vorstenbosch, The Netherlands
Tel. (+31) 413 366 643 – Fax. (+31) 413 369 165
www.specialmetalparts.com – info@specialmetalparts.com




ART.NO. 125Ti2
TITANIUM ASTM 348 GRADE 2 (3.7035)

DIN 125A (ISO 7089)

FLATWASHERS WITHOUT CHAMFER
VLAKKE SLUITRINGEN ZONDER FACET

Size	Price €/each	Box
M 3	0,35	100
M 4	0,15	100
M 5	0,15	100
M 6	0,20	100
M 8	0,25	50
M 10	0,35	50
M 12	0,45	25
M 16	0,90	10
M 20	1,80	10
M 24	5,90	5

 coloured prices are standard stock items



125 A



125 B





Price List 2018

Titanium



Al Metal Special Metal Parts B.V.
Akkerweg 5, 5476 VT Vorstenbosch, The Netherlands
Tel. (+31) 413 366 643 – Fax. (+31) 413 369 165
www.specialmetalparts.com – info@specialmetalparts.com



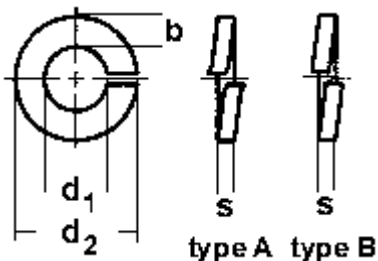
ART. NO. 127BTi2
TITANIUM ASTM 348 GRADE 2 (3.7035)

DIN 127B

SPRINGLOCK WASHERS
VEERRINGEN

Size	Price €/each	Box
M 3	0,90	100
M 4	1,00	100
M 5	1,10	100
M 6	1,25	100
M 8	1,40	50
M 10	1,50	50
M 12	1,60	25
M 16	3,50	25

coloured prices are standard stock items



DIN 127 A (NEN 1197 A)

Spring lock washer with tang

DIN 127 B (NEN 1197 B)

Spring lock washer with square ends



Titanium, Aluminium, Copper, Hastelloy, Inconel, Monel, Duplex, etc. Fasteners and Parts
For more technical information visit our website:
www.specialmetalparts.com | info@specialmetalparts.com





Price List 2018

Titanium



Al Metal Special Metal Parts B.V.
Akkerweg 5, 5476 VT Vorstenbosch, The Netherlands
Tel. (+31) 413 366 643 – Fax. (+31) 413 369 165
www.specialmetalparts.com – info@specialmetalparts.com



Art.no. 912Ti
TITANIUM ASTM 348 GRADE 2 (3.7035)

DIN 912 (ISO 4762)

HEXAGON SOCKET HEAD CAP SCREWS FULLY THREADED
CILINDERSCHROEF MET BINNENZESKANT VOLDRAADS

Maat	Price €/each	Box
M 3 X 8	1,60	10
M 3 X 10	1,80	10
M 3 X 12	1,80	10
M 3 X 16	1,90	10
M 3 X 20	2,40	10
M 3 X 25	2,40	10
M 3 X 30	2,40	10
M 3 X 40	2,50	10
M 4 X 6	2,05	10
M 4 X 8	2,10	10
M 4 X 10	2,15	10
M 4 X 12	2,20	10
M 4 X 16	2,40	10
M 4 X 20	2,50	10
M 4 X 25	2,60	10
M 4 X 30	2,75	10
M 4 X 35	3,50	10
M 4 X 40	3,50	10
M 4 X 50	3,10	10
M 5 X 6	1,70	10
M 5 X 8	1,80	10
M 5 X 10	1,90	10
M 5 X 12	1,90	10
M 5 x 14	2,90	10
M 5 X 16	2,90	10
M 5 X 20	3,00	10
M 5 X 25	3,10	10



Titanium, Aluminium, Copper, Hastelloy, Inconel, Monel, Duplex, etc. Fasteners and Parts
For more technical information visit our website:
www.specialmetalparts.com | info@specialmetalparts.com





Price List 2018

Titanium



Al Metal Special Metal Parts B.V.
Akkerweg 5, 5476 VT Vorstenbosch, The Netherlands
Tel. (+31) 413 366 643 – Fax. (+31) 413 369 165
www.specialmetalparts.com – info@specialmetalparts.com

M 5 X 30	3,20	10
M 5 X 35	3,90	10
M 5 X 40	4,25	10
M 5 X 60	4,70	10
M 5 X 80	4,90	10
M 6 X 10	3,60	10
M 6 X 12	3,40	10
M 6 X 16	3,50	10
M 6 X 20	3,60	10
M 6 X 25	3,75	10
M 6 X 30	3,90	10
M 6 X 35	5,70	10
M 6 X 40	6,80	10
M 6 X 50	6,90	10
M 6 X 70	7,80	1
M 6 X 100	9,00	1
M 8 X 12	3,60	10
M 8 X 16	3,75	10
M 8 X 20	3,75	10
M 8 X 25	4,20	10
M 8 X 30	6,75	10
M 8 X 40	7,00	10
M 8 X 45	7,50	10
M 8 X 50	7,90	10
M 8 X 60	9,75	10
M 8 X 70	11,00	10
M 8 X 80	11,00	1
M 8 X 90	12,75	1
M 8 X 100	14,90	1
M 8 X 120	15,25	1
M 10 X 16	13,90	10
M 10 X 20	14,25	10
M 10 X 25	14,50	10
M 10 X 30	14,75	10



Titanium, Aluminium, Copper, Hastelloy, Inconel, Monel, Duplex, etc. Fasteners and Parts
For more technical information visit our website:
www.specialmetalparts.com | info@specialmetalparts.com





Price List 2018

Titanium

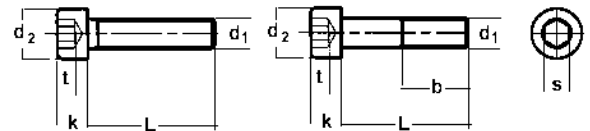


Al Metal Special Metal Parts B.V.
 Akkerweg 5, 5476 VT Vorstenbosch, The Netherlands
 Tel. (+31) 413 366 643 – Fax. (+31) 413 369 165
 www.specialmetalparts.com – info@specialmetalparts.com

M 10 X 40	16,80	10
M 10 X 50	15,50	10
M 10 X 70	16,00	10
M 10 X 80	35,00	1
M 10 X 100	29,80	1
M 10 X 160	32,00	1
M 12 X 40	16,90	1
M 12 X 80	19,90	1
M 12 X 180	39,00	1
M 16 X 40	32,00	1

coloured prices are standard stock items

d_1	d_2	b	k	s	t_{min}	$L \leq 1)$
M 1.4	2.6	-	1.4	1.25	-	12
M 1.6	3	15	1.6	1.5	0.7	16
M 1.8	3.4	-	1.8	1.5	-	16
M 2	3.8	16	2	1.5	1	20
M 2.5	4.5	17	2.5	2	1.1	25
M 3	5.5	18	3	2.5	1.3	20
M 4	7	20	4	3	2	25
M 5	8.5	22	5	4	2.5	25
M 6	10	24	6	5	3	30
M 8	13	28	8	6	4	35
M 10	16	32	10	8	5	40
M 12	18	36	12	10	6	50
M 14	21	40	14	12	7	55
M 16	24	44	16	14	8	60
M 18 ²⁾	27	48	18	14	9	65
M 20	30	52	20	17	10	70
M 22	33	56	22	17	11	75
M 24	36	60	24	19	12	80
M 27 ²⁾	40	66	27	19	13.5	90
M 30	45	72	30	22	15.5	100
M 33	50	78	33	24	18	100
M 36	54	84	36	27	19	110
M 42 ²⁾	63	96	42	32	24	130
M 48	72	108	48	36	28	150
M 52	78	116	52	36	31	-
M 56	84	124	56	41	34	-
M 64	96	140	64	46	38	-



© Copyright Al Metal



Titanium, Aluminium, Copper, Hastelloy, Inconel, Monel, Duplex, etc. Fasteners and Parts

For more technical information visit our website:

www.specialmetalparts.com | info@specialmetalparts.com





Price List 2018

Titanium



Al Metal Special Metal Parts B.V.
Akkerweg 5, 5476 VT Vorstenbosch, The Netherlands
Tel. (+31) 413 366 643 – Fax. (+31) 413 369 165
www.specialmetalparts.com – info@specialmetalparts.com



ART.NO. 933Ti2
TITANIUM ASTM 348 GRADE 2 (3.7035)

DIN 933 (ISO 4017)

HEXAGON SETSCREWS
ZESKANTTAPBOUTEN

Maat	Price €/each	Box
M 4 X 6	2,60	25
M 4 X 8	2,60	25
M 4 X 10	2,25	25
M 4 X 12	2,25	25
M 4 X 16	2,30	25
M 4 X 20	2,30	25
M 4 X 25	2,40	25
M 4 X 30	2,50	10
M 4 X 35	2,90	10
M 4 X 40	2,90	10
M 4 X 45	2,90	10
M 4 X 50	3,00	10
M 5 X 8	2,20	25
M 5 X 10	2,30	25
M 5 X 12	2,30	25
M 5 X 16	2,40	25
M 5 X 20	2,40	25
M 5 X 25	2,50	25
M 5 X 30	2,50	25
M 5 X 35	2,60	10
M 5 X 40	2,60	10
M 5 X 45	2,60	10
M 5 X 50	2,70	10
M 5 X 60	2,80	10
M 5 X 70	3,00	10
M 5 X 80	2,80	10
M 6 X 6	2,50	25
M 6 X 8	2,25	25



Titanium, Aluminium, Copper, Hastelloy, Inconel, Monel, Duplex, etc. Fasteners and Parts
For more technical information visit our website:
www.specialmetalparts.com | info@specialmetalparts.com





Price List 2018

Titanium



Al Metal Special Metal Parts B.V.
Akkerweg 5, 5476 VT Vorstenbosch, The Netherlands
Tel. (+31) 413 366 643 – Fax. (+31) 413 369 165
www.specialmetalparts.com – info@specialmetalparts.com

M 6 X 10	1,00	25
M 6 X 12	1,10	25
M 6 X 16	1,20	25
M 6 X 20	1,20	25
M 6 X 25	1,25	25
M 6 X 30	1,40	25
M 6 X 35	2,50	10
M 6 X 40	2,50	10
M 6 X 45	2,60	10
M 6 X 50	2,75	10
M 6 X 55	2,90	10
M 6 X 60	3,00	10
M 6 X 65	3,10	10
M 6 X 70	3,10	10
M 6 X 80	3,25	10
M 6 X 90	3,25	10
M 6 X 100	3,30	10
M 6 X 110	4,80	10
M 6 X 120	5,90	10
M 8 X 8	1,10	25
M 8 X 10	1,15	25
M 8 X 12	1,15	25
M 8 X 16	1,20	25
M 8 X 20	1,20	25
M 8 X 25	1,20	25
M 8 X 30	1,25	25
M 8 X 35	1,90	10
M 8 X 40	2,00	10
M 8 X 45	3,20	10
M 8 X 50	3,30	10
M 8 X 55	3,40	10
M 8 X 60	3,60	10
M 8 X 70	3,70	10



Titanium, Aluminium, Copper, Hastelloy, Inconel, Monel, Duplex, etc. Fasteners and Parts
For more technical information visit our website:
www.specialmetalparts.com | info@specialmetalparts.com





Price List 2018

Titanium



Al Metal Special Metal Parts B.V.
Akkerweg 5, 5476 VT Vorstenbosch, The Netherlands
Tel. (+31) 413 366 643 – Fax. (+31) 413 369 165
www.specialmetalparts.com – info@specialmetalparts.com

M 8 X 80	3,70	10
M 8 X 90	4,50	10
M 8 X 100	3,90	10
M 8 X 120	4,75	10
M 10 X 10	2,50	25
M 10 X 12	2,50	25
M 10 X 16	2,50	25
M 10 X 20	2,50	25
M 10 X 25	2,60	25
M 10 X 30	2,75	25
M 10 X 35	2,90	10
M 10 X 40	3,00	10
M 10 X 45	3,20	10
M 10 X 50	3,30	10
M 10 X 60	3,40	10
M 10 X 70	3,90	10
M 10 X 80	5,25	10
M 10 X 90	6,50	10
M 10 X 100	6,50	10
M 10 X 110	7,00	5
M 10 X 120	7,00	5
M 10 X 130	7,00	5
M 10 X 140	7,50	5
M 10 X 150	7,50	5
M 10 X 160	7,50	5
M 12 X 16	1,60	25
M 12 X 20	1,70	25
M 12 X 25	2,10	25
M 12 X 30	2,70	25
M 12 X 35	2,90	10
M 12 X 40	3,00	10
M 12 X 45	3,20	10
M 12 X 50	3,80	10
M 12 X 55	4,10	10



Titanium, Aluminium, Copper, Hastelloy, Inconel, Monel, Duplex, etc. Fasteners and Parts
For more technical information visit our website:
www.specialmetalparts.com | info@specialmetalparts.com





Price List 2018

Titanium



Al Metal Special Metal Parts B.V.
Akkerweg 5, 5476 VT Vorstenbosch, The Netherlands
Tel. (+31) 413 366 643 – Fax. (+31) 413 369 165
www.specialmetalparts.com – info@specialmetalparts.com

M 12 X 60	4,50	10
M 12 X 65	5,80	10
M 12 X 70	6,25	10
M 12 X 80	6,25	10
M 12 X 85	7,50	10
M 12 X 90	7,50	10
M 12 X 100	8,90	10
M 12 X 110	11,00	5
M 12 X 120	11,00	5
M 12 X 130	11,50	5
M 12 X 140	11,50	5
M 12 X 150	11,50	5
M 12 X 160	12,00	5
M 12 X 170	12,00	5
M 12 X 180	18,00	5
M 16 X 25	5,90	10
M 16 X 30	5,25	10
M 16 X 40	5,80	10
M 16 X 45	6,00	10
M 16 X 50	6,75	10
M 16 X 60	8,25	10
M 16 X 70	9,30	10
M 16 X 80	9,90	10
M 16 X 100	13,75	1
M 20 X 60	13,50	1
M 20 X 80	19,00	1
M 24 X 60	19,50	1
M 24 X 80	22,00	1

coloured prices are standard stock items



Titanium, Aluminium, Copper, Hastelloy, Inconel, Monel, Duplex, etc. Fasteners and Parts

For more technical information visit our website:

www.specialmetalparts.com | info@specialmetalparts.com





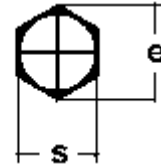
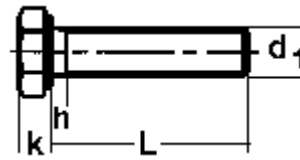
Price List 2018

Titanium



Al Metal Special Metal Parts B.V.
 Akkerweg 5, 5476 VT Vorstenbosch, The Netherlands
 Tel. (+31) 413 366 643 – Fax. (+31) 413 369 165
www.specialmetalparts.com – info@specialmetalparts.com

d_1	k	s	e	h_{max}
M 1.6	1.1	3.2	3.48	-
M 2	1.4	4	4.32	-
M 2.5	1.7	5	5.45	-
M 3	2	5.5	6.01	1.5
M 3.5	2.4	6	6.58	-
M 4	2.8	7	7.66	2.1
M 5	3.5	8	8.79	2.4
M 6	4	10	11.05	3
M 7	4.8	11	12.12	-
M 8	5.3	13	14.38	3.75
M 10 ¹⁾	6.4	16(17)	18.90	4.5
M 12 ¹⁾	7.5	18(19)	21.10	5.25
M 14 ¹⁾	8.8	21(22)	24.49	6
M 16	10	24	26.75	6
M 18	11.5	27	30.14	7.5
M 20	12.5	30	33.53	7.5
M 22 ¹⁾	14	34(32)	35.72	7.5
M 24	15	36	39.98	9
M 27	17	41	45.20	9
M 30	18.7	46	50.85	10.5
M 33	21	50	55.37	10.5
M 36	22.5	55	60.79	12
M 39	25	60	66.44	-
M 42	26	65	71.30	-
M 45	28	70	76.95	-
M 48	30	75	82.60	-
M 52	33	80	88.25	-
M 64	40	95	104.86	-



© Copyright Al Metal



Titanium, Aluminium, Copper, Hastelloy, Inconel, Monel, Duplex, etc. Fasteners and Parts
 For more technical information visit our website:
www.specialmetalparts.com | info@specialmetalparts.com





Price List 2018

Titanium



Al Metal Special Metal Parts B.V.
Akkerweg 5, 5476 VT Vorstenbosch, The Netherlands
Tel. (+31) 413 366 643 – Fax. (+31) 413 369 165
www.specialmetalparts.com – info@specialmetalparts.com



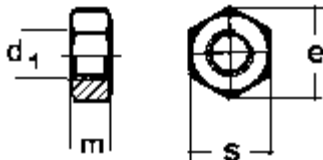
ART.NO. 934Ti2
TITANIUM ASTM 348 GRADE 2 (3.7035)

DIN 934 (ISO 4032)

HEXAGON NUTS
ZESKANTMOER

Size	Price €/each	Box
M 3	0,50	50
M 4	0,50	50
M 5	0,50	50
M 6	0,55	50
M 8	0,60	50
M 10	1,10	50
M 12	1,70	25
M 14	3,00	10
M 16	3,30	10
M 20	6,90	10
M 24	8,50	1

coloured prices are standard stock items



Titanium, Aluminium, Copper, Hastelloy, Inconel, Monel, Duplex, etc. Fasteners and Parts
For more technical information visit our website:
www.specialmetalparts.com | info@specialmetalparts.com





Price List 2018

Titanium



Al Metal Special Metal Parts B.V.
Akkerweg 5, 5476 VT Vorstenbosch, The Netherlands
Tel. (+31) 413 366 643 – Fax. (+31) 413 369 165
www.specialmetalparts.com – info@specialmetalparts.com



ART. NO.963Ti
TITANIUM ASTM 348 GRADE 2 (3.7035)

DIN 963 (ISO 2009)

COUNTERSUNK HEAD SCREWS SLOTTED
PLATVERZONKEN METAALSCHROEVEN MET ZAAGGLEUF

Size	Price €/each	Box
M 2 X 6	6,50	25
M 2 X 8	7,25	25
M 2 X 10	7,30	25
M 2,5X 6	7,25	25
M 2,5X 8	7,50	25
M 2,5X 10	7,75	25
M 2,5X 12	7,90	25
M 3 X 6	3,80	25
M 3 X 8	4,70	25
M 3 X 10	4,75	25
M 3 X 12	5,30	25
M 3 X 16	5,50	25
M 3 X 20	5,60	25
M 3 X 60	6,80	10
M 4 X 8	5,10	25
M 4 X 10	5,50	25
M 4 X 12	5,75	10
M 4 X 16	5,90	10
M 4 X 20	6,00	10
M 4 X 25	6,10	10
M 5 X 10	5,80	10
M 5 X 12	5,90	10
M 5 X 16	6,00	10
M 5 X 20	6,10	10
M 5 X 25	6,20	10
M 5 X 30	6,25	25
M 6 X 16	2,60	10



Titanium, Aluminium, Copper, Hastelloy, Inconel, Monel, Duplex, etc. Fasteners and Parts
For more technical information visit our website:
www.specialmetalparts.com | info@specialmetalparts.com





Price List 2018

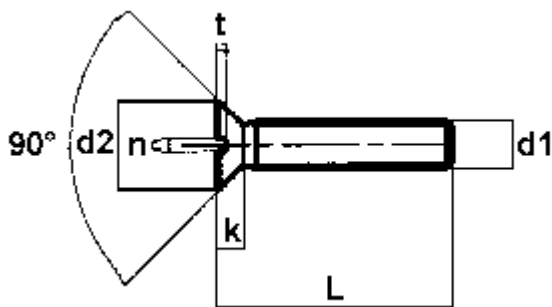
Titanium



Al Metal Special Metal Parts B.V.
 Akkerweg 5, 5476 VT Vorstenbosch, The Netherlands
 Tel. (+31) 413 366 643 – Fax. (+31) 413 369 165
 www.specialmetalparts.com – info@specialmetalparts.com

M 6 X 20	2,75	10
M 6 X 25	2,80	10
M 6 X 30	2,90	10
M 8 X 8	3,10	25

coloured prices are standard stock items



d1	d2	k max.	n	t min.
M 1,6	3	0,96	0,4	0,32
M 2	3,8	1,2	0,5	0,4
M 2,5	4,7	1,5	0,6	0,5
M 3	5,6	1,65	0,8	0,6
M 3,5	6,5	1,93	0,8	0,7
M 4	7,5	2,2	1	0,8
M 5	9,2	2,5	1,2	1
M 6	11	3	1,6	1,2
M 8	14,5	4	2	1,6
M 10	18	5	2,5	2
M 12	22	6	3	2,4
M 16	29	8	4	3,2

© Copyright Al Metal





Price List 2018

Titanium



Al Metal Special Metal Parts B.V.
Akkerweg 5, 5476 VT Vorstenbosch, The Netherlands
Tel. (+31) 413 366 643 – Fax. (+31) 413 369 165
www.specialmetalparts.com – info@specialmetalparts.com

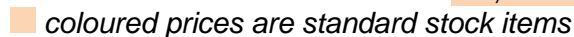


ART.NO. 975Ti2
TITANIUM ASTM 348 GRADE 2 (3.7035)

DIN 975

THREADED RODS - LENGTH 1 METER
DRAADSTANGEN - LENGTE 1 METER

Size	Price €/1 meter	Box
M 3	20,00	1
M 4	18,70	1
M 5	19,00	1
M 6	19,50	1
M 8	28,00	1
M 10	32,00	1
M 12	56,00	1
M 14	60,00	1
M 16	82,00	1

 *coloured prices are standard stock items*



Titanium, Aluminium, Copper, Hastelloy, Inconel, Monel, Duplex, etc. Fasteners and Parts
For more technical information visit our website:
www.specialmetalparts.com | info@specialmetalparts.com





Price List 2018

Titanium



Al Metal Special Metal Parts B.V.
 Akkerweg 5, 5476 VT Vorstenbosch, The Netherlands
 Tel. (+31) 413 366 643 – Fax. (+31) 413 369 165
 www.specialmetalparts.com – info@specialmetalparts.com



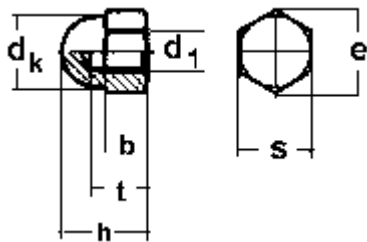
ART.NO. 1587Ti
 TITANIUM ASTM 348 GRADE 2 (3.7035)

DIN 1587

HEXAGON DOMED CAP NUTS
 HOGE DOPMOER

Size	Price €/each	Box
M 4	2,30	25
M 5	2,50	25
M 6	2,65	25

coloured prices are standard stock items



d_1	s	h	t	b	e_{min}
M 3	5.5	6	3.8	2.8	6.01
M 4	7	8	5.5	4.1	7.66
M 5	8	10	7.5	5.4	8.79
M 6	10	12	8	6	11.05
M 8	13	15	11	8.5	14.38
M 10 ¹⁾	16(17)	18	13	10	17.77(18.90)
M 12 ¹⁾	18(19)	22	16	11.7	20.03(21.10)
M 14 ¹⁾	21(22)	25	18	13	23.35(24.49)
M 16	24	28	21	16	26.75
M 18	27	32	25	18.7	29.56
M 20	30	34	26	19.7	32.95
M 22 ¹⁾	34(32)	39	29	22.7	37.29(35.03)
M 24	36	42	31	23.5	39.55
M 27	41	48	-	-	45.20
M 30	46	55	-	-	50.85

© Copyright Al Metal



Titanium, Aluminium, Copper, Hastelloy, Inconel, Monel, Duplex, etc. Fasteners and Parts
 For more technical information visit our website:
 www.specialmetalparts.com | info@specialmetalparts.com





Price List 2018

Titanium



Al Metal Special Metal Parts B.V.
Akkerweg 5, 5476 VT Vorstenbosch, The Netherlands
Tel. (+31) 413 366 643 – Fax. (+31) 413 369 165
www.specialmetalparts.com – info@specialmetalparts.com



ART. NO 7991Ti2
TITANIUM ASTM 348 GRADE 2 (3.7035)

DIN 7991 (ISO 10642)

HEXAGON SOCKET COUNTERSUNK SCREWS
PLATVERZONKEN BINNENZESKANTSCHROEF

Size	Price €/each	Box
M 3 X 6	2,50	25
M 3 X 8	2,80	25
M 3 X 10	2,80	25
M 3 X 12	2,90	25
M 3 X 16	5,20	25
M 4 X 6	2,70	25
M 4 X 8	2,80	25
M 4 X 10	2,90	25
M 4 X 12	3,00	25
M 4 X 16	6,20	10
M 4 X 20	6,50	10
M 5 X 10	3,25	10
M 5 X 12	3,50	10
M 5 X 16	5,90	10
M 5 X 20	5,90	10
M 5 X 25	6,00	10
M 6 X 10	4,75	10
M 6 X 12	4,90	10
M 6 X 16	4,90	10
M 6 X 20	5,10	10
M 6 X 25	6,25	10
M 6 X 30	6,25	10
M 8 X 16	5,50	10
M 8 X 20	5,75	10
M 8 X 25	5,90	10
M 8 X 30	6,10	10
M 8 X 35	6,25	10



Titanium, Aluminium, Copper, Hastelloy, Inconel, Monel, Duplex, etc. Fasteners and Parts
For more technical information visit our website:
www.specialmetalparts.com | info@specialmetalparts.com





Price List 2018

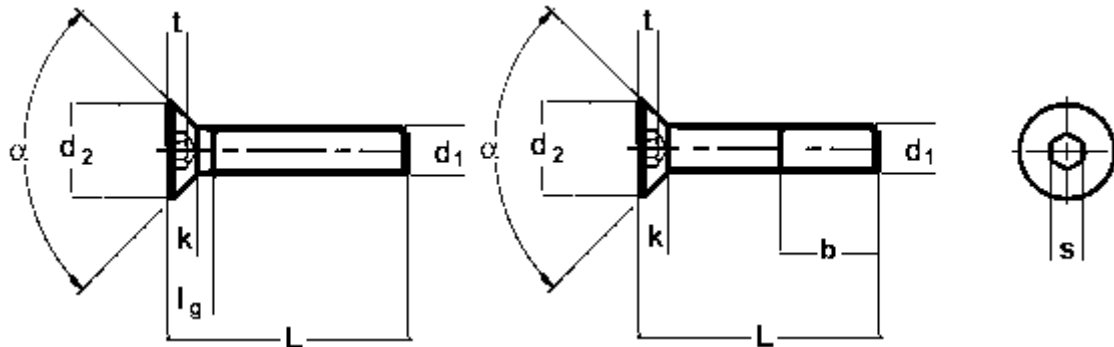
Titanium



Al Metal Special Metal Parts B.V.
 Akkerweg 5, 5476 VT Vorstenbosch, The Netherlands
 Tel. (+31) 413 366 643 – Fax. (+31) 413 369 165
 www.specialmetalparts.com – info@specialmetalparts.com

M 8 X 40	6,50	10
M 10 X 30	7,90	10

coloured prices are standard stock items



d_1	d_2	$b_{L \leq 125}$	$b_{L > 125}$	$b_{L > 200}$	k_{max}	s	t	α	$L \leq 1)$	$l_{g \max} 1)$
M 2	4	-	-	-	1.2	1.25	-	90°	12	-
M 2.5	5	-	-	-	1.5	1.5	-	90°	16	-
M 3	6	12	-	-	1.7	2	1.2	90°	30	3.2
M 4	8	14	-	-	2.3	2.5	1.8	90°	30	4.4
M 5	10	16	-	-	2.8	3	2.3	90°	35	5.2
M 6	12	18	24	-	3.3	4	2.5	90°	40	6.3
M 8	16	22	28	-	4.4	5	3.5	90°	45	8.2
M 10	20	26	32	45	5.5	6	4.4	90°	55	10
M 12	24	30	36	49	6.5	8	4.6	90°	60	11.8
M 14	27	34	40	-	7	10	4.8	90°	65	13
M 16	30	38	44	57	7.5	10	5.3	90°	70	13.5
M 18	33	42	-	-	8	12	-	90°	60	-
M 20	36	46	52	65	8.5	12	5.9	90°	90	16
M 22	36	-	-	-	13.1	14	-	-	-	-
M 24	39	54	60	-	14	14	10.3	60°	90	23

© Copyright Al Metal



Titanium, Aluminium, Copper, Hastelloy, Inconel, Monel, Duplex, etc. Fasteners and Parts
 For more technical information visit our website:
 www.specialmetalparts.com | info@specialmetalparts.com





Price List 2018

Titanium



Al Metal Special Metal Parts B.V.
 Akkerweg 5, 5476 VT Vorstenbosch, The Netherlands
 Tel. (+31) 413 366 643 – Fax. (+31) 413 369 165
 www.specialmetalparts.com – info@specialmetalparts.com



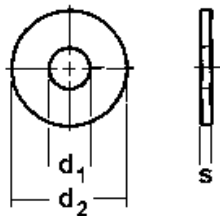
ART.NO. 9021Ti2
 TITANIUM ASTM 348 GRADE 2 (3.7035)

DIN 9021

FLATWASHERS (3xD)
 VLAKKE SLUITRINGEN (3xD)

Size	Price €/each	Box
M 3	0,75	50
M 4	0,75	50
M 5	0,75	25
M 6	0,60	25
M 8	0,70	25
M 10	0,80	25
M 12	1,60	10

coloured prices are standard stock items



d ₁	used for	d ₂	s
2.5	M 2.3	8	0.8
2.7	M 2.5	8	0.8
3.2	M 3	9	0.8
3.7	M 3.5	11	0.8
4.3	M 4	12	1
5.3	M 5	15	1.2
6.4	M 6	18	1.6
7.4	M 7	22	2
8.4	M 8	24	2
10.5	M 10	30	2.5
13	M 12	37	3
15	M 14	44	3
17	M 16	50	3
20	M 18	56	4
22	M 20	60	4

© Copyright Al Metal



Titanium, Aluminium, Copper, Hastelloy, Inconel, Monel, Duplex, etc. Fasteners and Parts
 For more technical information visit our website:
 www.specialmetalparts.com | info@specialmetalparts.com

